

FAN CLEANING

Clean the fan grills, extender screen, and extender panels with a soft, damp cloth. Please use caution around the motor housing area. Do not allow the motor or other electrical components to be exposed to water. Also, using a soft bristle brush attachment, a vacuum cleaner may be used to extract dust buildup on the grill areas.

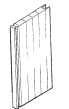
NOTE: Remember to turn your fan to the off position prior to cleaning.

FAN STORAGE INSTRUCTIONS

Your fan can be stored in the off-season, however it is important to keep it in a safe, dry location.

- We recommend using the original (or appropriately sized) box.
- Remember to protect the fan from dust.

WINDOW FAN ACCESSORIES

Window Fan Extender Panel		To order please go to www.bionaire.com or call 1-800-253-2764
------------------------------	---	--

TROUBLESHOOTING GUIDE

Issue	Potential Cause	Potential Solution
The air is not moving in the direction that I want it to.	Airflow direction switches are not in the correct position.	Adjust the airflow direction switches to intake, exhaust, or air exchange.
Fan will not operate even though I am turning on the fan with the speed control knob.	Fan is not plugged in. The fan is plugged in and is set to the Off position. Preset temperature on the fan is set too high.	Plug the cord into a 120V AC outlet. Turn the fan on using the speed button. Refer to Manual or Automatic Operating Instructions. Set the temperature on the fan so that it is lower than the room temperature. Refer to Automatic Operating Instructions.
Fan is not secure in my window and moves during operation.	Fan may not be set in the window properly.	Ensure that the bottom edge of the window sash fits into the groove along the top of the fan. Close the sash completely on top of the window so it is secure. Refer to the Window Fan Installation section.
My window fan will not fit horizontally in the window.	Fan may need to be installed vertically.	Window fans can be installed either vertically or horizontally. Please note that when installing vertically, the internal adjustable extender panel must be located on the top of the window fan and never on the bottom. Refer to the Window Fan Installation section.
My window fan has become dirty.	Long term on continued use. This is normal when circulating unfiltered air.	First unplug the fan from the outlet. The outside of the fan can be wiped down with a damp cloth. Use a vacuum cleaner with a dust brush attachment. Refer to the Cleaning/Maintenance Instructions section.

If you have any questions regarding your product or would like to learn more about other Bionaire® products, please contact our Consumer Service Department at 1-800-253-2764 or visit our website at www.bionaire.com

5 YEAR LIMITED WARRANTY

Sunbeam Products, Inc. doing business as Jarden Consumer Solutions or if in Canada, Sunbeam Corporation (Canada) Limited doing business as Jarden Consumer Solutions (collectively "JCS") warrants that for a period of five years from the date of purchase, this product will be free from defects in material and workmanship. JCS, at its option, will repair or replace this product or any component of the product found to be defective during the warranty period. Replacement will be made with a new or remanufactured product or component. If the product is no longer available, replacement may be made with a similar product of equal or greater value. This is your exclusive warranty. Do NOT attempt to repair or adjust any electrical or mechanical functions on this product. Doing so will void this warranty.

This warranty is valid for the original retail purchaser from the date of initial retail purchase and is not transferable. Keep the original sales receipt. Proof of purchase is required to obtain warranty performance. JCS dealers, service centers, or retail stores selling JCS products do not have the right to alter, modify or any way change the terms and conditions of this warranty.

This warranty does not cover normal wear of parts or damage resulting from any of the following: negligent use or misuse of the product, use on improper voltage or current, use contrary to the operating instructions, disassembly, repair or alteration by anyone other than JCS or an authorized JCS service center. Further, the warranty does not cover: Acts of God, such as fire, flood, hurricanes and tornadoes.

What are the limits on JCS's Liability?

JCS shall not be liable for any incidental or consequential damages caused by the breach of any express, implied or statutory warranty or condition.

Except to the extent prohibited by applicable law, any implied warranty or condition of merchantability or fitness for a particular purpose is limited in duration to the duration of the above warranty.

JCS disclaims all other warranties, conditions or representations, express, implied, statutory or otherwise.

JCS shall not be liable for any damages of any kind resulting from the purchase, use or misuse of, or inability to use the product including incidental, special, consequential or similar damages or loss of profits, or for any breach of contract, fundamental or otherwise, or for any claim brought against purchaser by any other party.

Some provinces, states or jurisdictions do not allow the exclusion or limitation of incidental or consequential damages or limitations on how long an implied warranty lasts, so the above limitations or exclusion may not apply to you.

This warranty gives you specific legal rights, and you may also have other rights that vary from province to province, state to state or jurisdiction to jurisdiction.

How to Obtain Warranty Service

In the U.S.A.

If you have any question regarding this warranty or would like to obtain warranty service, please call 1-800-253-2764 and a convenient service center address will be provided to you.

In Canada

If you have any question regarding this warranty or would like to obtain warranty service, please call 1-800-253-2764 and a convenient service center address will be provided to you.

In the U.S.A., this warranty is offered by Sunbeam Products, Inc. doing business as Jarden Consumer Solutions located in Boca Raton, Florida 33431. In Canada, this warranty is offered by Sunbeam Corporation (Canada) Limited doing business as Jarden Consumer Solutions, located at 20B Hereford Street, Brampton, Ontario L6Y 0M1. If you have any other problem or claim in connection with this product, please write our Consumer Service Department.

PLEASE DO NOT RETURN THIS PRODUCT TO ANY OF THESE ADDRESSES OR TO THE PLACE OF PURCHASE.

© 2007 Sunbeam Products, Inc. doing business as Jarden Consumer Solutions. All Rights Reserved. Distributed by Sunbeam Products, Inc. doing business as Jarden Consumer Solutions, Boca Raton, Florida 33431.

BW230007EM1

Printed in China



remote control
WINDOW fan

MODEL BW2300



Read instructions before operating.
Retain for future reference.

Instruction Leaflet

 **INFO-LINE**

If after having read this leaflet, you have any questions or comments on your fan, call **1-800-253-2764** in North America.

9100010009530

FAN SAFETY

PLEASE READ AND SAVE THESE IMPORTANT SAFEGUARDS

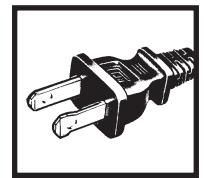
IMPORTANT INSTRUCTIONS

When using electrical appliances, basic safety precautions should always be followed to reduce the risk of fire, electric shock, and injury to persons, including the following:

1. Read all instructions before using the appliance.
2. To avoid fire or shock hazard, plug the appliance directly into a 120 V AC electrical outlet.
3. Keep the cord out of heavy traffic areas. DO NOT let the cord hang over the edge of a table or counter. To avoid fire hazard, NEVER put the cord under rugs, near heat registers, radiators, stoves, or heaters.
4. To protect against electrical hazards, DO NOT immerse in water or other liquids. Do not use near water.
5. Close supervision is necessary when any appliance is used by or near children or disabled people.
6. Always unplug the fan before moving it, putting on or taking off parts, cleaning, or whenever the fan is not in use. Be sure to pull by the plug and not the cord.
7. Avoid contact with moving parts. DO NOT operate without fan grills properly in place.
8. DO NOT operate any appliance with a damaged cord or plug, if motor fan fails to rotate, after the appliance malfunctions, or if it has been dropped or damaged in any manner. Return appliance to manufacturer for examination, electrical or mechanical adjustment, or repair.
9. DO NOT operate in the presence of explosive and/or flammable fumes.
10. Use appliance only for intended household use as described in this manual. Any other use not recommended by the manufacturer may cause fire, electric shock, or injury to persons. The use of attachments not recommended or sold by Bionaire® may cause hazards.
11. DO NOT use outdoors.
12. Always use on a dry, level surface.
13. Keep unit away from heated surfaces and open flames.
14. DO NOT attempt to repair or adjust any electrical or mechanical functions on this unit. Doing so will void your warranty. The inside of the unit contains no user serviceable parts. All servicing should be performed by qualified personnel only.

PLEASE SAVE THESE INSTRUCTIONS

CONSUMER SAFETY INFORMATION

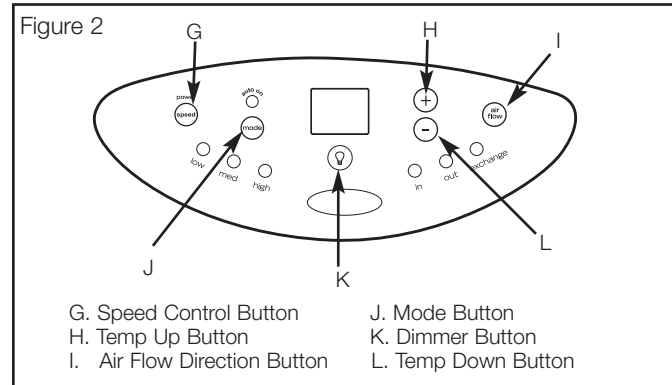
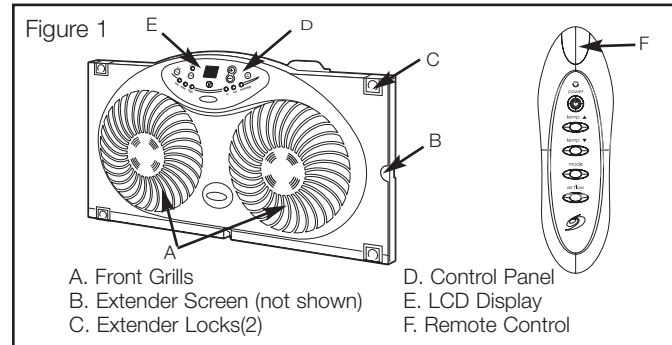


THIS APPLIANCE HAS A POLARIZED AC PLUG (one blade is wider than the other). To reduce the risk of electric shock, this plug is intended to fit in a polarized outlet only one way. If the plug does not fit fully in the outlet, reverse the plug. If it still does not fit, contact a qualified electrician to install the proper outlet.

DO NOT ATTEMPT TO MODIFY THIS PLUG OR DEFEAT THIS SAFETY FEATURE IN ANY WAY.

PLEASE READ AND SAVE THESE IMPORTANT SAFETY INSTRUCTIONS

INSTALLATION INSTRUCTIONS



WINDOW FAN INSTALLATION

The window fan has been designed to fit double-hung, slider and casement windows.
Step 1: Set the fan into your window opening.

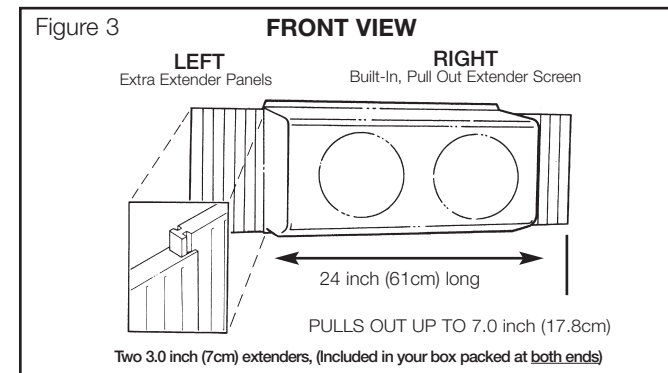
Step 2: If the fan does not fit snugly to the top and bottom of the window casing, attach the included extender panel(s) and pull out the built-in extender screen until the fan fits safely in your window (See Figure 3).

Step 3: To keep the fan in place, carefully close the window so that the bottom edge of the window rests on the flat area on the top of the window fan.

WARNING: Be sure fan is securely installed in your window at all times. Do not lean or push on fan while it is in the window.

NOTE: For slider windows, set the fan vertically in your window opening, with the left side on the bottom.

INSTALLATION GUIDE



The extender panels can be secured to the fan by simply sliding the extender panels into the grooves located on the left hand side of the fan.

The extender screen can be adjusted by pulling out the extender locks located on the top and bottom of the right side of the fan. Push the locks back into place to secure the extender screen at the desired length.

For 24 inch to 27 inch (61-69cm): Use up to 3 inch (7cm) of right side, pull out extender screen.

For 28 inch to 34 inch (71-86cm): Use one 3 inch (7cm) extender panel on the left side. Adjust the pull out extender screen on the right side for a tight fit (from 0.5 inch to 7 inch (1.3-17.8cm)).

For 35 inch to 37 inch (89-94cm): Use two 3 inch (7cm) extender panels on the left side. Adjust the pull out extender screen on the right side for a tight fit (from 0.5 inch to 7 inch (1.3-17.8cm)).

Larger than 37 inch (94cm): Additional extender panels will be required.

MANUAL OPERATING INSTRUCTIONS

NOTE: To operate the fan continuously, make sure that the auto on light located to the left of the control panel is off.

Step 1: Plug your window fan into any 120V AC electrical outlet.

NOTE: The temperature display will always be on when the fan is plugged into the electrical outlet.

Step 2: To turn the fan on press the Speed Control Button.
Step 3: Set the speed to high, medium (med) or low by pressing the Speed Control Button.

Step 4: Set the airflow direction to Exhaust (out), Intake (in) or exchange (one blade blowing air in and the second blade blowing air out) by pressing the air flow button.

Step 5: To turn the fan off press the Speed Control Button until the fan stops.

AUTOMATIC OPERATING INSTRUCTIONS

Your window fan is equipped with the digital control thermostat that automatically turns the fan on and off depending upon the preset comfort level. For example, if you have set your thermostat to 75 degrees and the room temperature drops to 74 degrees or lower then the fan will automatically shut off. The fan will then turn on again when the room temperature exceeds 75 degrees. In order to take advantage of this feature, make sure your window fan is in automatic mode (this will be indicated by a red light on the left of the control panel).

Step 1: Set the fan to Automatic Mode by pressing the Mode button located on the Control Panel. The Auto On light will illuminate when the unit is in Automatic Mode.

Step 2: Press the Temp Set (+,-) buttons on the front of the Control Panel or use the remote control to program the desired temperature or switch to the manual mode.

Step 3: When you are finished setting the temperature, let go of the button. The display will blink a few times and then will return to displaying the current room temperature.

IMPORTANT: If the unit will not start in automatic mode, please make sure that the set temperature is below the current room temperature. If the fan is stopped and you would like to turn it back on, lower the set temperature or switch to the manual mode.

REMOTE CONTROL INSTRUCTIONS

Your window fan is equipped with a remote control. This remote control can be used to adjust the following functions: Power, Manual/Automatic mode, Air Flow Direction, Temperature adjustments. Two "AAA" batteries have been included for your convenience.

- Do not mix old and new batteries.
- Do not mix alkaline, standard (carbon-zinc), or rechargeable (nickel-cadmium) batteries.

CLEANING/MAINTENANCE INSTRUCTIONS

Follow these instructions to correctly and safely care for your fan. Please remember:

- Always unplug the fan before cleaning.
- Do not allow water to drip on or enter into fan housing.
- Be sure to use a soft cloth moistened with a mild soap solution.
- Do not use gasoline, thinner or benzene as a cleaner.