

CLEANING AND MAINTENANCE

ADJUSTMENT INSTRUCTIONS

Height Adjustment: To adjust the height of the fan remove the lower pole. Insert the upper pole into the top of the base and secure with base weight nut.

Tilt Adjustment: To adjust the angle of the Fan Head, loosen the Tilt Adjustment knob, move Fan Head to desired angle, and firmly tighten the Tilt Adjustment knob.

CLEANING/MAINTENANCE INSTRUCTIONS

Follow these instructions to correctly and safely care for your fan.

- Always unplug the fan before cleaning or disassembling.
- Be sure to clean your fan with a soft cloth moistened with a mild soap solution.
- Do not allow water to drip on or enter into the fan housing.
- Do not use gasoline, thinner, or benzene as a cleaner.
- Lightly run a vacuum cleaner nozzle over the fan grill to remove any dust or dirt that may have accumulated.

Fan Blade Cleaning Instructions.

Make sure the fan is unplugged before disassembling and cleaning the fan blade. Carefully remove the front grill from the clips. Wipe the blade with a soft cloth moistened with a mild soap solution. DO NOT allow any liquid to drip into or enter the motor housing. Snap the front grill onto the fan. Make sure all parts are secured prior to operating the fan.

FAN STORAGE

Your fan should be stored in the off-season in its original box. It is important to keep it in a safe, dry location.

- Store your fan in the original box or an appropriately sized box.
- Protect the fan head from dust.
- Store your fan in a dry location.

If you have any questions regarding your product or would like to learn more about other Bionaire® products, please contact our Consumer Service Department at 1-800-253-2764 or visit our website at www.bionaire.com.

WARRANTY INFORMATION

5 YEAR LIMITED WARRANTY

Sunbeam Products, Inc. doing business as Jarden Consumer Solutions or if in Canada, Sunbeam Corporation (Canada) Limited doing business as Jarden Consumer Solutions (collectively "JCS") warrants that for a period of five years from the date of purchase, this product will be free from defects in material and workmanship. JCS, at its option, will repair or replace this product or any component of the product found to be defective during the warranty period.

Replacement will be made with a new or remanufactured product or component. If the product is no longer available, replacement may be made with a similar product of equal or greater value. This is your exclusive warranty. Do NOT attempt to repair or adjust any electrical or mechanical functions on this product. Doing so will void this warranty.

This warranty is valid for the original retail purchaser from the date of initial retail purchase and is not transferable. Keep the original sales receipt. Proof of purchase is required to obtain warranty performance. JCS dealers, service centers, or retail stores selling JCS products do not have the right to alter, modify or any way change the terms and conditions of this warranty.

This warranty does not cover normal wear of parts or damage resulting from any of the following: negligent use or misuse of the product, use on improper voltage or current, use contrary to the operating instructions, disassembly, repair or alteration by anyone other than JCS or an authorized JCS service center. Further, the warranty does not cover: Acts of God, such as fire, flood, hurricanes and tornadoes.

What are the limits on JCS's Liability?

JCS shall not be liable for any incidental or consequential damages caused by the breach of any express, implied or statutory warranty or condition.

Except to the extent prohibited by applicable law, any implied warranty or condition of merchantability or fitness for a particular purpose is limited in duration to the duration of the above warranty.

JCS disclaims all other warranties, conditions or representations, express, implied, statutory or otherwise.

JCS shall not be liable for any damages of any kind resulting from the purchase, use or misuse of, or inability to use the product including incidental, special, consequential or similar damages or loss of profits, or for any breach of contract, fundamental or otherwise, or for any claim brought against purchaser by any other party.

Some provinces, states or jurisdictions do not allow the exclusion or limitation of incidental or consequential damages or limitations on how long an implied warranty lasts, so the above limitations or exclusion may not apply to you.

This warranty gives you specific legal rights, and you may also have other rights that vary from province to province, state to state or jurisdiction to jurisdiction.

How to Obtain Warranty Service

In the U.S.A.

If you have any question regarding this warranty or would like to obtain warranty service, please call 1-800-253-2764 and a convenient service center address will be provided to you.

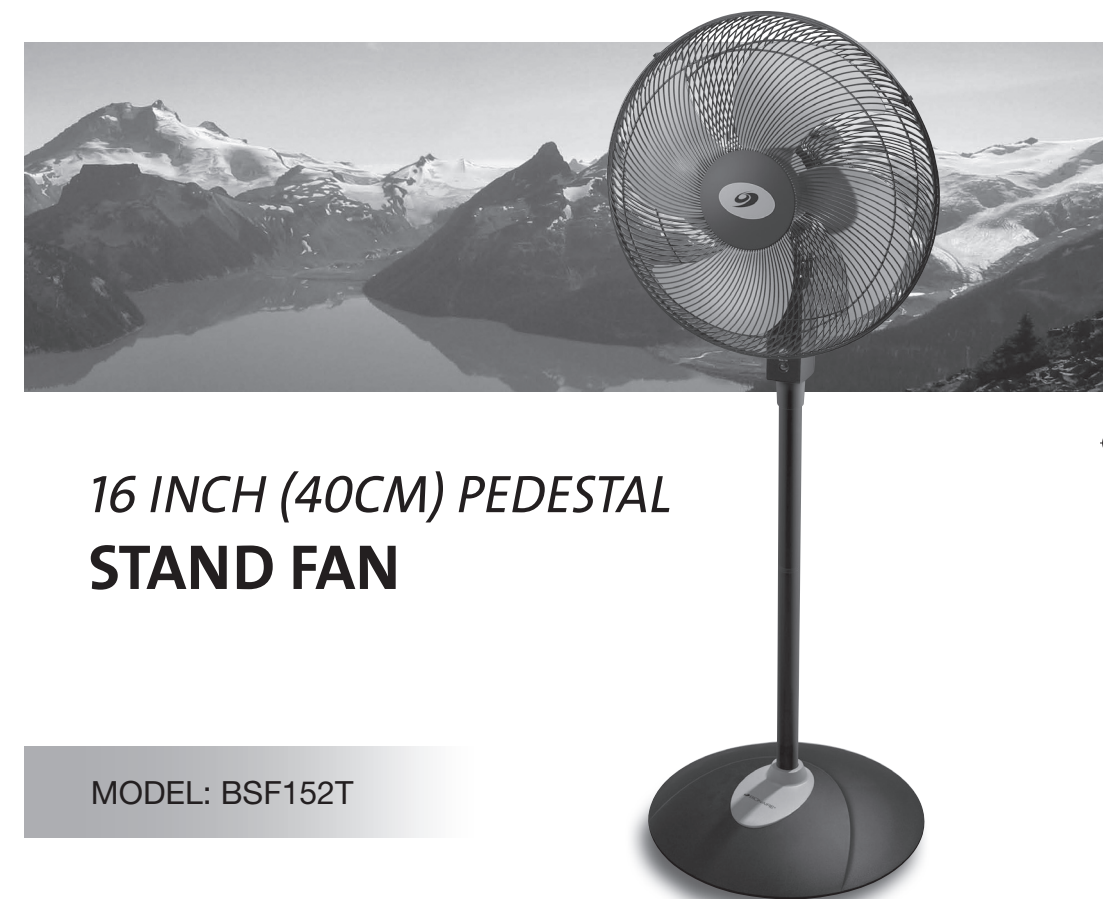
In Canada

If you have any question regarding this warranty or would like to obtain warranty service, please call 1-800-253-2764 and a convenient service center address will be provided to you.

In the U.S.A., this warranty is offered by Sunbeam Products, Inc. doing business Jarden Consumer Solutions located in Boca Raton, Florida 33431. In Canada, this warranty is offered by Sunbeam Corporation (Canada) Limited doing business as Jarden Consumer Solutions, located at 20 B Hereford Street, Brampton, Ontario L6Y 0M1. If you have any other problem or claim in connection with this product, please write our Consumer Service Department. **PLEASE DO NOT RETURN THIS PRODUCT TO ANY OF THESE ADDRESSES OR TO THE PLACE OF PURCHASE.**

BIONAIRE®

breeze



16 INCH (40CM) PEDESTAL STAND FAN

MODEL: BSF152T

Instruction Leaflet

Read instructions before operating. Retain for future reference.

Questions? Comments? Call 1-800-253-2764 in North America or visit our website at www.bionaire.com.

© 2008 Sunbeam Products, Inc. doing business as Jarden Consumer Solutions. All Rights Reserved.

Distributed by Sunbeam Products, Inc. doing business as Jarden Consumer Solutions, Boca Raton, Florida 33431.

132134/9100010010548

BSF152T08EM1

Printed In China

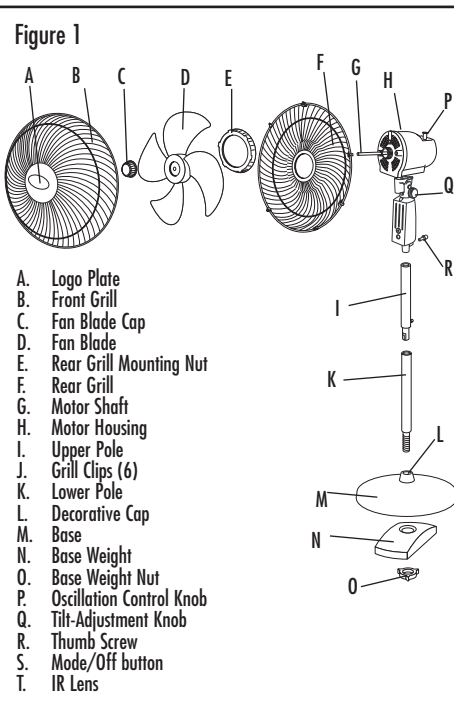
PLEASE READ AND SAVE THESE IMPORTANT SAFETY INSTRUCTIONS

When using electrical appliances, basic safety precautions should always be taken including the following:

1. Read all instructions before using this appliance.
2. Use fan only for purposes described in the instruction manual.
3. To protect against electrical shock do not immerse unit, plug or cord in water or spray with liquids. Plug the appliance directly into a 120V AC electrical outlet.
4. Close supervision is necessary when any appliance is used by or near children.
5. Unplug from outlet when not in use, when moving fan from one location to another, before putting on or taking off parts and before cleaning.
6. Avoid contact with moving parts.
7. Do not operate in the presence of explosive and/or flammable fumes.
8. To avoid fire hazard, NEVER place the cord under rugs or any parts near an open flame, cooking or other heating appliance.
9. Do not operate any appliance with a damaged cord or plug after the appliance malfunctions, or has been dropped/damaged in any manner. Discard fan or return to an authorized service facility for examination and/or repair.
10. The use of attachments not recommended or sold by the appliance manufacturer may cause hazards.
11. Do not use outdoors.
12. Do not let the cord hang over the edge of a table, counter or come in contact with hot surfaces or leave exposed to high traffic areas.
13. To disconnect, grip plug and pull from wall outlet. Never yank on cord.
14. Always use on a dry, level surface.
15. Do not operate fan until fully assembled with all parts properly in place.
16. This product is intended for household use ONLY and not for commercial or industrial applications.

17. **WARNING:** To reduce the risk of electrical shock injury to persons, do not use in window.
18. **WARNING:** This fan is provided with an internal electronic fan speed control. To reduce the risk of fire or electric shock, do not use this fan with any other solid-state speed control device.

INSTALLATION INSTRUCTION



PLEASE READ AND SAVE THESE IMPORTANT SAFETY INSTRUCTIONS

ASSEMBLY INSTRUCTIONS

Assembly Time: 5-10 Minutes

NOTE: Check all packaging materials and make sure that you have all of the parts necessary for assembling your fan.

1. Insert the threaded end of the Lower Pole into the Base. Refer to Figure 2.
2. Secure the Base Weight to the threaded end of the Lower Pole with the Base Weight Nut. Refer to Figure 2.
3. Insert the threaded end of the Upper Pole into the Lower Pole. Twist clockwise to lock. Refer to Figure 3.
4. Slide Neck of the Motor Housing over the Upper Pole and secure by tightening the Thumb Screw.
5. Secure the Rear Grill to the Motor Housing by tightening the Rear Grill Mounting Nut. Refer to Figure 4 for the correct positioning of the Rear Grill to the Motor Housing.
6. Secure the Fan Blade to the Motor Shaft by tightening the Fan Blade Cap. Refer to Figure 5.
7. Secure the Front Grill to the Rear Grill by snapping the Front Grill into the clips around the perimeter of the Rear Grill.

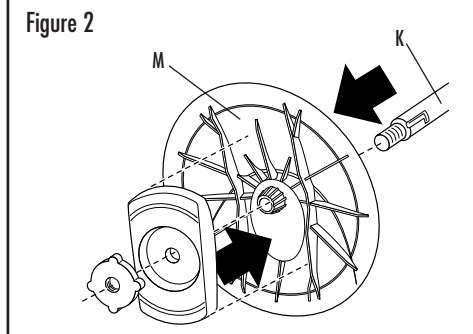


Figure 3

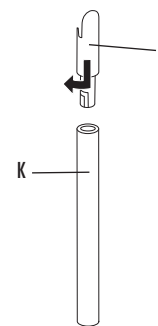


Figure 4

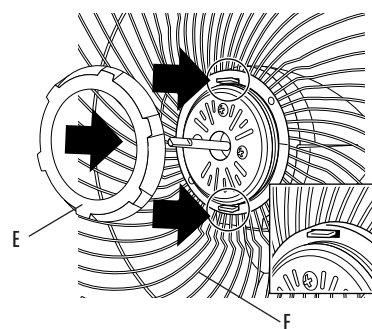
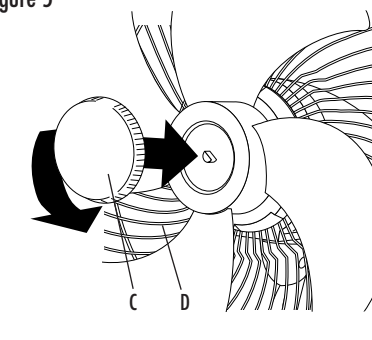


Figure 5



FEATURES - OPERATIONS

FEATURES - OPERATIONS

Figure 6



interference to radio communications. However, there is no guarantee that the interference will not occur in a particular installation. If the product does cause harmful interference to radio or television reception, which can be determined by turning the product on or off, the user is encouraged to try to correct the interference by one or more of the following measures:

- Reorient or relocate the receiving antenna.
- Increase the separation between the product and the receiver.
- Connect the product into an outlet on a circuit different from that to which the receiver is connected.
- Consult the dealer or an experienced radio/TV technician for help.

Changes or modifications not expressly approved by the party responsible for compliance could void the user's authority to operate the equipment.

OPERATING INSTRUCTIONS

1. Set fan on a dry, level surface.
2. Plug cord into any standard 120 volt AC outlet.
3. The speed/mode is adjustable by pushing the Mode/Off () button either from the fan housing or the remote control.

OSCILLATION INSTRUCTIONS:

To turn the oscillation feature off pull the Oscillation Control Knob () all the way up. To turn the oscillation feature on push the Oscillation Control Knob () all the way down.

FCC STATEMENT

Potential for Radio/Television interference

This product has been tested and found to comply with the limits for a Class B digital device, pursuant to part 15 of the FCC rules.

These limits are designed to provide reasonable protection against harmful interference in a residential installation. The product generates, uses, and can radiate radio frequency energy and, if not installed and used in accordance with the instructions, may cause harmful

REMOTE CONTROL

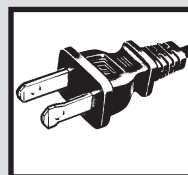
This unit includes two (2) AAA batteries.

Battery Replacement

- a) Locate the battery cover on the back of the remote control handset. Slide the battery cover off with your thumb.
- b) Use the tip of a pen to loosen each battery. Hold the remote control handset at an angle to allow the batteries to slide out.
- c) Insert two new batteries, pressing them firmly into their slot.
- d) Replace the battery cover.

NOTES:

- Do not mix old and new batteries.
- Do not mix alkaline, standard (carbon-zinc), or rechargeable (nickel-cadmium) batteries.
- Replace all batteries of a set at the same time.
- Clean the battery contacts and the devices' contacts prior to installing the batteries.
- Remove the batteries from the equipment when it is not being used for an extended period of time.
- Remove the used batteries promptly.



THIS APPLIANCE HAS A POLARIZED PLUG (one blade is wider than the other). To reduce the risk of electric shock, this plug is intended to fit in a polarized outlet only one way. If the plug does not fit fully in the outlet, reverse the plug. If it still does not fit, contact a qualified electrician to install the proper outlet.

DO NOT ATTEMPT TO MODIFY THIS PLUG OR DEFEAT THIS SAFETY FEATURE IN ANY WAY.