

**FAN STORAGE**

Your fan should be stored in the off-season in its original box. It is important to keep it in a safe, dry location.

- Store your fan in the original box or an appropriately sized box.
- Protect the fan head from dust.

**FAN SERVICE INSTRUCTIONS**

1. Do NOT attempt to repair or adjust any electrical or mechanical functions on this unit. Doing so will void the warranty.
2. If you need to exchange the unit, please return it in its original carton, with a sales receipt, to the store where you purchased it. If you are returning the unit more than 30 days after the date of purchase, please see the enclosed warranty.
3. For service information please call **1-800-253-2764** or **visit our website at [www.bionaire.com](http://www.bionaire.com)**.
4. ☒ If you have any other questions or comments, feel free to write to us:

Bionaire®  
Sunbeam Products, Inc. d/b/a Jarden  
Consumer Solutions  
Consumer Service Department  
303 Nelson Avenue  
Neosho, MO 64850

**5 YEAR LIMITED WARRANTY**

Sunbeam Products, Inc. d/b/a Jarden Consumer Solutions or if in Canada, Sunbeam Corporation (Canada) Limited doing business as Jarden Consumer Solutions (collectively "JCS") warrants that for a period of five years from the date of purchase, this product will be free from defects in material and workmanship. JCS, at its option, will repair or replace this product or any component of the product found to be defective during the warranty period. Replacement will be made with a new or remanufactured product or component. If the product is no longer available, replacement may be made with a similar product of equal or greater value. This is your exclusive warranty. Do NOT attempt to repair or adjust any electrical or mechanical functions on this product. Doing so will void this warranty.

This warranty is valid for the original retail purchaser from the date of initial retail purchase and is not transferable. Keep the original sales receipt. Proof of purchase is required to obtain warranty performance. JCS dealers, service centers, or retail stores selling JCS products do not have the right to alter, modify or any way change the terms and conditions of this warranty.

This warranty does not cover normal wear of parts or damage resulting from any of the following: negligent use or misuse of the product, use on improper voltage or current, use contrary to the operating instructions, disassembly, repair or alteration by anyone other than JCS or an authorized JCS service center. Further, the warranty does not cover: Acts of God, such as fire, flood, hurricanes and tornadoes.

**What are the limits on JCS's Liability?**

JCS shall not be liable for any incidental or consequential damages caused by the breach of any express, implied or statutory warranty or condition.

Except to the extent prohibited by applicable law, any implied warranty or condition of merchantability or fitness for a particular purpose is limited in duration to the duration of the above warranty.

JCS disclaims all other warranties, conditions or representations, express, implied, statutory or otherwise.

JCS shall not be liable for any damages of any kind resulting from the purchase, use or misuse of, or inability to use the product including incidental, special, consequential or similar damages or loss of profits, or for any breach of contract, fundamental or otherwise, or for any claim brought against purchaser by any other party.

Some provinces, states or jurisdictions do not allow the exclusion or limitation of incidental or consequential damages or limitations on how long an implied warranty lasts, so the above limitations or exclusion may not apply to you.

This warranty gives you specific legal rights, and you may also have other rights that vary from province to province, state to state or jurisdiction to jurisdiction.

**How to Obtain Warranty Service**In the U.S.A.

If you have any question regarding this warranty or would like to obtain warranty service, please call 1-800-253-2764 and a convenient service center address will be provided to you.

In Canada

If you have any question regarding this warranty or would like to obtain warranty service, please call 1-800-253-2764 and a convenient service center address will be provided to you.

In the U.S.A., this warranty is offered by Sunbeam Products, Inc d/b/a Jarden Consumer Solutions located in Boca Raton, Florida 33431. In Canada, this warranty is offered by Sunbeam Corporation (Canada) Limited doing business as Jarden Consumer Solutions, located at 5975 Falbourne Street, Mississauga, Ontario L5R 3V8. If you have any other problem or claim in connection with this product, please write our Consumer Service Department.

**PLEASE DO NOT RETURN THIS PRODUCT TO ANY OF THESE ADDRESSES OR TO THE PLACE OF PURCHASE.**

© 2006 Sunbeam Products, Inc. d/b/a Jarden Consumer Solutions. All Rights Reserved.

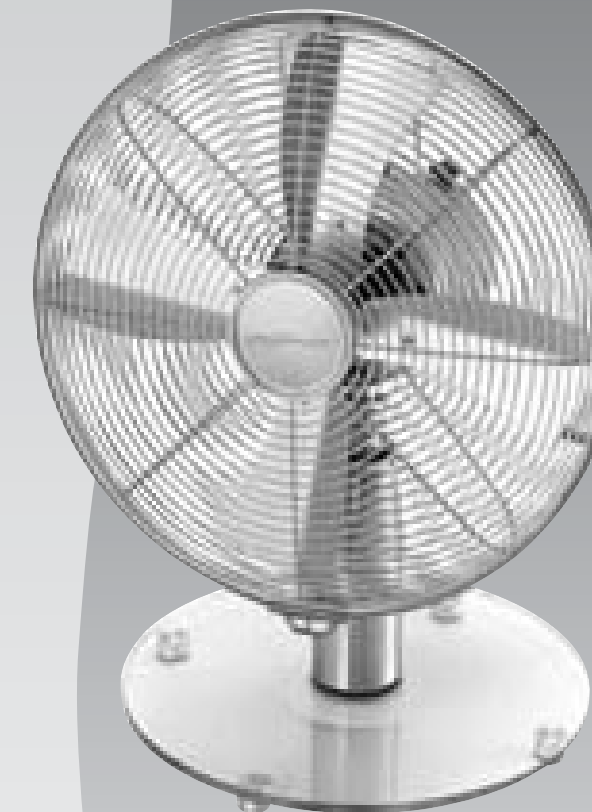
BTF161606EM1

Printed in China



## GLASS BASE TABLE fan

BTF1616



Read instructions  
before operating.  
Retain for future reference.

## Instruction Leaflet

**INFO-LINE**

If after having read this leaflet, you have any questions or comments on your fan, call **1-800-253-2764** in North America.

9100010007665

**FAN SAFETY**

**PLEASE READ AND SAVE THESE IMPORTANT SAFEGUARDS**

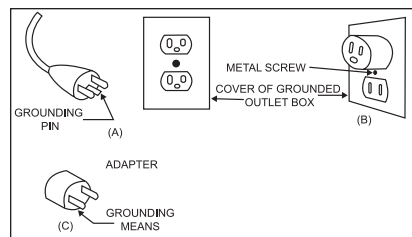
**IMPORTANT INSTRUCTIONS**

When using electrical appliances, basic safety precautions should always be taken including the following:

1. Read all instructions before using this appliance.
2. Use fan only for purposes described in the instruction manual.
3. To protect against electrical shock do not immerse unit, plug or cord in water or spray with liquids and plug the appliance directly into a electrical outlet.
4. Close supervision is necessary when any appliance is used by or near children.
5. Unplug from outlet when not in use, when moving fan from one location to another, before putting on or taking off parts and before cleaning.
6. Avoid contact with moving parts.
7. Do not operate in the presence of explosive and/or flammable fumes.
8. To avoid fire hazard, NEVER place the cord under rugs or any parts near an open flame, cooking or other heating appliance.
9. Do not operate any appliance with a damaged cord or plug after the appliance malfunctions, or has been dropped/damaged in any manner. Take it to an Authorized Service Center for examination and/or repair.
10. The use of attachments not recommended or sold by the appliance manufacturer may cause hazards.
11. Do not use outdoors.
12. Do not let the cord hang over the edge of a table, counter or come in contact with hot surfaces or leave exposed to high traffic areas.
13. To disconnect, grip plug and pull from wall outlet. Never yank on cord.
14. Always use on a dry, level surface.
15. Do not operate fan until fully assembled with all parts properly in place.
16. This product is intended for household use ONLY and not for commercial or industrial applications.
17. **WARNING:** To reduce the risk of electrical shock and injury to persons, do not use in window.
18. **WARNING:** To reduce the risk of fire or electric shock, DO NOT use this fan with any solid-state speed control device.

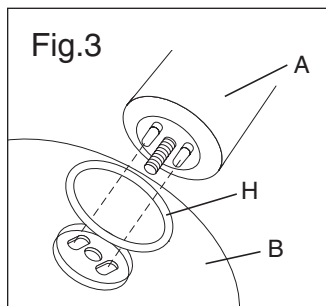
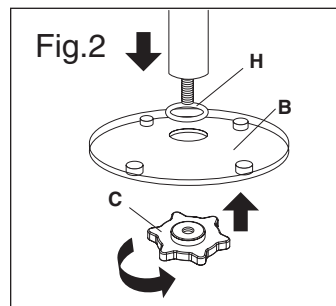
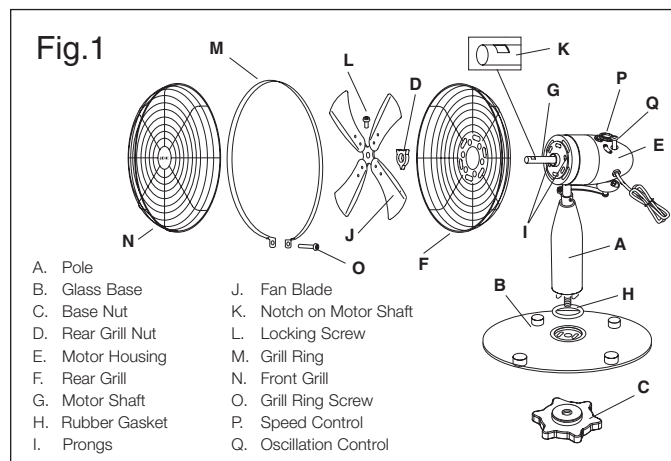
**PLEASE READ AND SAVE THESE IMPORTANT SAFETY INSTRUCTIONS**

**CONSUMER SAFETY INFORMATION**



This product is for use on 120 volts. The cord has a plug (A) as shown. An adapter (C) is available for connecting three-blade grounding-type plugs to two-slot

receptacles (B). The green grounding lug extending from the adapter must be connected to a permanent ground such as a properly grounded outlet box. The adapter should not be used if a three-slot grounded receptacle is available.



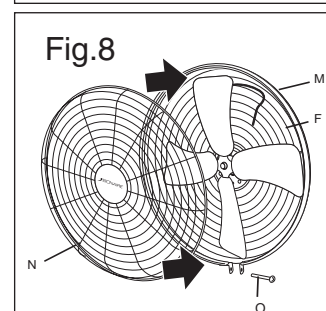
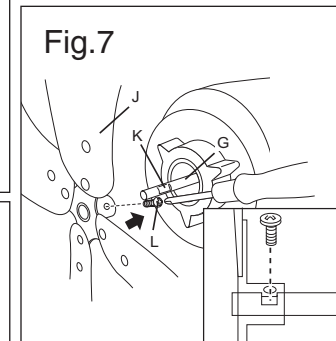
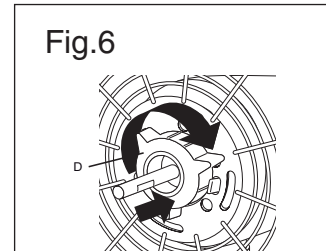
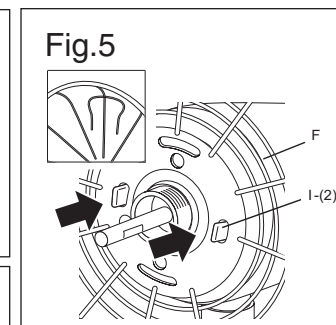
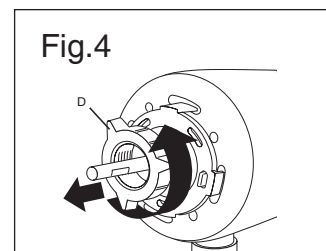
**ASSEMBLY INSTRUCTIONS (see Fig. 1 - Fig. 8)**

Assembly Time: 10-15 Minutes.

Tools Required: Phillips Head Screw Driver.

1. Fit the motor housing assembly over the opening of the Glass Base (B) and secure with the Base Nut (C). Refer to Fig. 2.
2. Unscrew the Rear Grill Nut (D) from the Motor Housing (E). Refer to Fig. 4.
3. Position the Rear Grill (F) over the motor housing. Refer to Fig. 5 for proper alignment of the rear grill to the motor housing.
4. Secure the Rear Grill (F) to the Motor Housing (E) with the Rear Grill Nut (D). Refer to Fig. 6.
5. Remove the protective sleeve from the Motor Shaft (G).
6. Slide the Fan Blade (J) over the Motor Shaft (G). Refer to Fig. 7 for proper alignment of Fan Blade (J) to Motor Shaft (G).
7. Position the Grill Ring (M) over the Rear Grill (F) with the Grill Ring Screw (O) positioned at the bottom. Refer to Fig. 8.

**NOTE:** You may have to loosen the Grill Ring Screw (O) in order to fit the grill ring over the Rear Grill.



8. Snap the Front Grill (N) into the Grill Ring (M). Make sure Bionaire logo is properly aligned.
9. Tighten Grill Ring Screw (O).

**OPERATING INSTRUCTIONS (see Fig. 1)**

1. Set the fan base on a dry level surface.
2. Make sure the Speed Control is in the OFF (0) position. Speed Control (P) is located on the top of the fan motor housing.
3. Plug the cord into a suitable outlet.
4. The SPEED is adjusted by turning the Speed Control to the desired setting:

- 0 - Off
- I - Low
- II - Med
- III - High

**ADJUSTMENT INSTRUCTIONS**

**Tilt adjustment**

Follow these instructions to tilt the fan head for upward angle air movement.

- To change the tilting angle of the fan head, simply move the fan head to the desired angle.

**Oscillation adjustment**

The OSCILLATION control (Q) is located on the top of the fan motor housing. To start oscillation, push the control knob down. To stop oscillation, pull the control knob up.

**CLEANING/MAINTENANCE INSTRUCTIONS**

Follow these instructions to correctly and safely care for your fan.

- Always unplug the fan before cleaning or disassembling.
- Be sure to clean your fan with a soft cloth moistened with a mild soap solution.
- Do not allow water to drip on or enter into the fan housing.
- Do not use gasoline, thinner, or benzene as a cleaner.
- Lightly run a vacuum cleaner nozzle over the fan grill to remove any dust or dirt that may have accumulated.

**Fan Blade Cleaning Instructions**

Make sure the fan is unplugged before disassembling and cleaning the fan blade. Carefully remove the front grill from the clips. Wipe the blade with a soft cloth moistened with a mild soap solution. DO NOT allow any liquid to drip into or enter the motor housing. Snap the front grill onto the fan. Make sure all parts are secured prior to operating the fan.