

WARRANTY INFORMATION

1 YEAR LIMITED WARRANTY

Sunbeam Products, Inc. doing business as Jarden Consumer Solutions or if in Canada, Sunbeam Corporation (Canada) Limited doing business as Jarden Consumer Solutions (collectively "JCS") warrants that for a period of one year from the date of purchase, this product will be free from defects in material and workmanship. JCS, at its option, will repair or replace this product or any component of the product found to be defective during the warranty period.

Replacement will be made with a new or remanufactured product or component. If the product is no longer available, replacement may be made with a similar product of equal or greater value. This is your exclusive warranty. Do NOT attempt to repair or adjust any electrical or mechanical functions on this product. Doing so will void this warranty.

This warranty is valid for the original retail purchaser from the date of initial retail purchase and is not transferable. Keep the original sales receipt. Proof of purchase is required to obtain warranty performance. JCS dealers, service centers, or retail stores selling JCS products do not have the right to alter, modify or any way change the terms and conditions of this warranty.

This warranty does not cover normal wear of parts or damage resulting from any of the following: negligent use or misuse of the product, use on improper voltage or current, use contrary to the operating instructions, disassembly, repair or alteration by anyone other than JCS or an authorized JCS service center. Further, the warranty does not cover: Acts of God, fire, flood, hurricanes and tornadoes.

What are the limits on JCS's Liability?

JCS shall not be liable for any incidental or consequential damages caused by the breach of any express, implied or statutory warranty or condition.

Except to the extent prohibited by applicable law, any implied warranty or condition of merchantability or fitness for a particular purpose is limited in duration to the duration of the above warranty.

JCS disclaims all other warranties, conditions or representations, express, implied, statutory or otherwise.

JCS shall not be liable for any damages of any kind resulting from the purchase, use or misuse of, or inability to use the product including incidental, special, consequential or similar damages or loss of profits, or for any breach of contract, fundamental or otherwise, or for any claim brought against purchaser by any other party.

Some provinces, states or jurisdictions do not allow the exclusion or limitation of incidental or consequential damages or limitations on how long an implied warranty lasts, so the above limitations or exclusion may not apply to you.

This warranty gives you specific legal rights, and you may also have other rights that vary from province to province, state to state or jurisdiction to jurisdiction.

How to Obtain Warranty Service

In the U.S.A.

If you have any question regarding this warranty or would like to obtain warranty service, please call 1-800-253-2764 and a convenient service center address will be provided to you.

In Canada

If you have any question regarding this warranty or would like to obtain warranty service, please call 1-800-253-2764 and a convenient service center address will be provided to you.

WARRANTY INFORMATION

In the U.S.A., this warranty is offered by Sunbeam Products, Inc. doing business as Jarden Consumer Solutions located in Boca Raton, Florida 33431. In Canada, this warranty is offered by Sunbeam Corporation (Canada) Limited doing business as Jarden Consumer Solutions, located at 5975 Falbourn Street, Mississauga, Ontario L5R 3V8. If you have any other problem or claim in connection with this product, please write our Consumer Service Department. **PLEASE DO NOT RETURN THIS PRODUCT TO ANY OF THESE ADDRESSES OR TO THE PLACE OF PURCHASE.**

BIONAIRE®

pure indoor living



TOWER QUARTZ Heater

MODEL: BQH308C

Instruction Leaflet

Read instructions before operating. Retain for future reference.

Questions? Comments? Call 1-800-253-2764 in North America.

© 2010 Sunbeam Products, Inc. doing business as Jarden Consumer Solutions. All Rights Reserved.
Distributed by Sunbeam Products, Inc. doing business as Jarden Consumer Solutions, Boca Raton, Florida 33431.

135035/9100020010821
GCDS-BI015757-JC

BQH308C10EM1

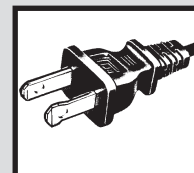
Printed In China

PLEASE READ AND SAVE THESE IMPORTANT SAFETY INSTRUCTIONS

When using electrical appliances, basic safety precautions should always be followed to reduce the risk of fire, electric shock, and injury to persons, including the following:

1. Read all instructions before using the appliance.
2. To avoid fire or shock hazard, plug the appliance directly into a 120V AC electrical outlet.
3. The heater is hot when in use. To avoid burns, DO NOT let bare skin touch hot surfaces. If provided, use handles when moving this heater. Keep combustible materials, such as furniture, pillows, bedding, papers, clothes, and curtains at least 3 ft (0.9 m) from the front of the heater and keep them away from the sides and rear.
4. DO NOT run cord under carpeting. DO NOT cover cord with throw rugs, runners, or the like. Arrange cord away from traffic area and where it will not be tripped over.
5. This heater is not intended for use in bathrooms, laundry areas and similar indoor location. NEVER locate heater where it may fall into a bathtub or other water container.
6. Extreme caution is necessary when any heater is used by, or near children or invalids, and whenever the heater is left operating and unattended.
7. Always unplug the heater when not in use.
8. When unplugging, be sure to pull by the plug and not the cord.
9. DO NOT insert or allow foreign objects to enter any ventilation or exhaust opening as this may cause an electric shock or fire, or damage the heater.
10. DO NOT operate heater with a damaged cord or plug, or after the heater malfunctions, has been dropped or damaged in any manner. Return appliance to manufacturer for examination, electrical or mechanical adjustment, or repair.
11. A heater has hot and arcing or sparking parts inside. DO NOT use it in areas where gasoline, paint, or flammable liquids are used or stored.
12. Use appliance only for intended household use as described in this manual. Any other use not recommended by the manufacturer may cause fire, electric shock, or injury to persons. The use of attachments not recommended or sold by the manufacturer may cause hazards.
13. DO NOT use outdoors.
14. To prevent a possible fire, DO NOT block air intakes or exhaust in any manner. DO NOT use on soft surfaces, like a bed, where openings may become blocked.
15. To disconnect heater, turn controls to OFF, then remove plug from outlet.
16. Avoid the use of an extension cord because the extension cord may overheat and cause a risk of fire. However, if you have to use an extension cord, the cord shall be No. 14 AWG minimum size and rated not less than 1875 watts.
17. If the heater will not operate, see specific instructions on Auto Safety Shut-off.
18. DO NOT attempt to repair or adjust any electrical or mechanical functions on this unit. Doing so will void your warranty. The inside of the unit contains no user serviceable parts. All servicing should be performed by qualified personnel only.
19. Discontinue use if plug or outlet is hot. It is recommended that the outlet be replaced if plug or outlet is hot to touch.
20. The heater must not be located immediately below a socket-outlet. Do not use this heater in the immediate surroundings of a bath, a shower or a swimming pool.

NOTE: This unit is for FLOOR USE ONLY.



THIS APPLIANCE HAS A POLARIZED PLUG (one blade is wider than the other). To reduce the risk of electric shock, this plug is intended to fit in a polarized outlet only one way. If the plug does not fit fully in the outlet, reverse the plug. If it still does not fit, contact a qualified electrician to install the proper outlet.

DO NOT ATTEMPT TO MODIFY THIS PLUG OR DEFEAT THIS SAFETY FEATURE IN ANY WAY.

FEATURES - OPERATIONS

PLEASE READ AND SAVE THESE IMPORTANT SAFETY INSTRUCTIONS

TECHNICAL SPECIFICATIONS

- Amps: 12.5
- Wattage: 1500W (+5% -10%)
- Working Voltage: 120V AC/60 Hz

MAXFLOW™ FAN SYSTEM

The patented MaxFlow™ Fan system incorporates a top mounted fan and internal shroud to provide maximum heat dispersion. The MaxFlow™ Fan system delivers a combination of instant, penetrating warmth in the immediate area, as well as forcing heat out for entire room coverage.

OPERATING INSTRUCTIONS

1. Carefully remove your heater from the box. Please save the carton for off-season storage.
2. Make sure the unit is in the OFF (1/O) position before plugging the heater into the outlet.
3. Avoid overloading your circuit by not using other high wattage appliances in the same outlet. At 1500 Watts, this unit draws 12.5 Amps.
4. For heater operation, please set the Thermostat all the way to the highest setting. (See Figure 1)

NOTE: This unit is for FLOOR USE ONLY.

NOTE: Discontinue use if plug or outlet is hot.

NOTE: Recommend outlet be replaced if plug or outlet is hot to touch.

NOTE: You may notice vibration/noise coming from the grill and the interior quartz tubes when the heater is turned on. PLEASE NOTE THAT THIS IS NORMAL AND SAFE OPERATION. Once the quartz heating element has warmed up, the vibration/noise will go away.

Mode Control

Turn the Mode Control to the desired setting:

1/O - Off Mode

To shut off the heater at any time of operation, turn the Mode Control to Off (1/O) position.

1 - Low Heat

The heater will run continuously at 750W.

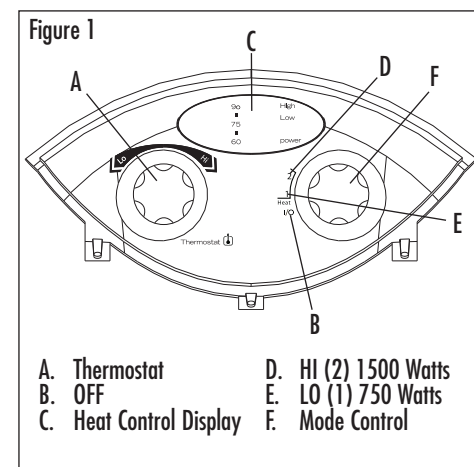
2 - High Heat

The heater will run continuously at 1500W.

Thermostat Control

1. Set thermostat to the highest setting to start heater (See Figure 1). Allow heater to operate and warm up the room.
2. When the desired temperature/comfort level is reached, lower the thermostat setting until the fan/heater stops operating.
3. The control will now automatically maintain the preset temperature level by turning the heater ON and OFF.

NOTE: It is normal for the heater to cycle ON and OFF as it maintains the preset temperature. To prevent the unit from cycling, raise the thermostat to the highest setting.



CLEANING / MAINTENANCE

CLEANING/MAINTENANCE

Always unplug the heater before cleaning and allow the heater to cool down.

1. Clean the unit with a soft cloth moistened with a mild soap and water solution.
 2. NEVER use abrasive or flammable solvents to clean the unit.
 3. After cleaning, be sure to completely dry the unit with a cloth or towel.
 4. Store heater in a cool, dry location.
 5. It is recommended that you store the unit in its original carton.
- TIP:** Over time, dust may accumulate on the front grills. This can be removed by wiping the unit with a damp cloth.

AUTO SAFETY SHUT-OFF WITH INSTANT TIP-OVER PROTECTION

This heater is equipped with a patented, technologically-advanced safety system that requires the user to reset the heater if there is a potential overheat situation. When a potential overheat temperature is reached, the system will automatically shut the heater off. It can only resume operation when the user resets the unit.

To Reset the Heater:

1. Turn the Heat Control to the OFF (1/O) position.
2. Wait 30 minutes for the unit to cool down.
3. After the 30 minutes, plug the unit in again and operate normally.

Tip-Over Shut Off:

When the unit is accidentally knocked over, it will instantly shut off. The unit may also shut off if it is moved or bumped. To reset, simply place the heater in an upright position and it will operate normally.

NOTE: If unit does not turn on when placed in the upright position, turn the Mode Control to High (2) setting and heater will resume operation.

TROUBLESHOOTING

If your heater fails to operate:

- The temperature may be set too low. Turn the thermostat knob clockwise until the heater restarts.
- Make sure selector is in LO (1) or HI (2) setting.
- UNPLUG THE UNIT and make sure the heater is placed in an upright position.
- Make sure the electrical outlet or circuit breaker is working.
- Check for obstructions. If you find an obstruction turn the heater OFF, and unplug the unit. Carefully remove the obstruction and follow the reset instructions.

Please DO NOT attempt to open or repair the heater.

If you have any questions regarding your product or would like to learn more about other Bonaire® products, please contact our Consumer Service Department at 1-800-253-2764 or visit our website at www.bonaire.com.